

THE WEATHERBOARD SOLUTION
COLOURS
TRIMS & ACCESSORIES
TECHNICAL
STORAGE & HANDLING
CUTTING
FIXING
LAYING OPTIONS
STARTING OUT
FIXING AT BASE
INSTALLATION
VERTICAL PROFILES
TOP OF WALL, ABUTMENTS & GABLES
CORNERS
CORNER TRIMS
WINDOWS



Marley Weatherboard fixing guide

FEBRUARY 2022



COLOURS

TRIMS & ACCESSORIES

TECHNICAL

STORAGE & HANDLING

CUTTING

FIXING

LAYING OPTIONS

STARTING OUT

FIXING AT BASE

INSTALLATION

VERTICAL PROFILES

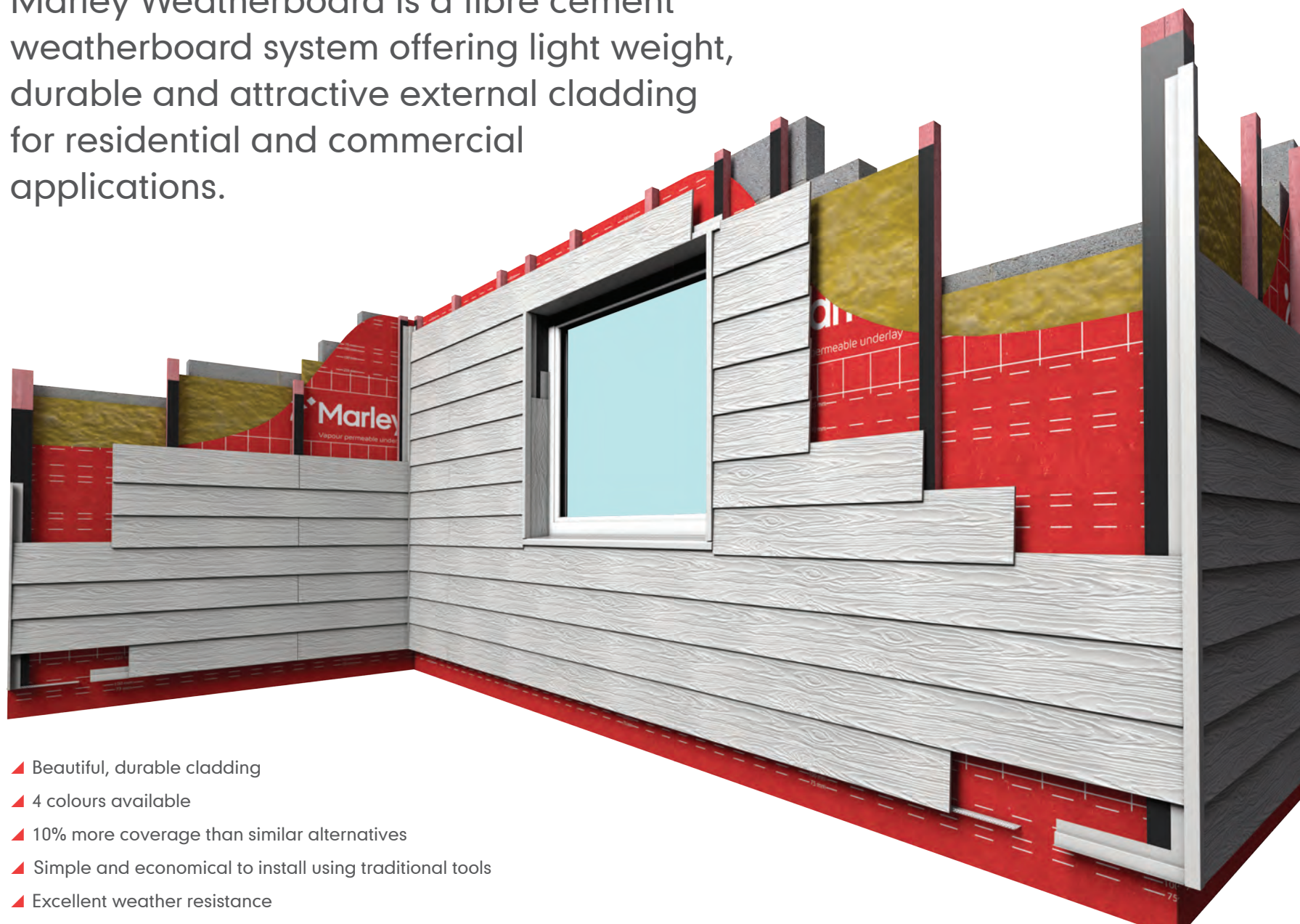
TOP OF WALL,
ABUTMENTS & GABLES

CORNERS

CORNER TRIMS

WINDOWS

Marley Weatherboard is a fibre cement weatherboard system offering light weight, durable and attractive external cladding for residential and commercial applications.

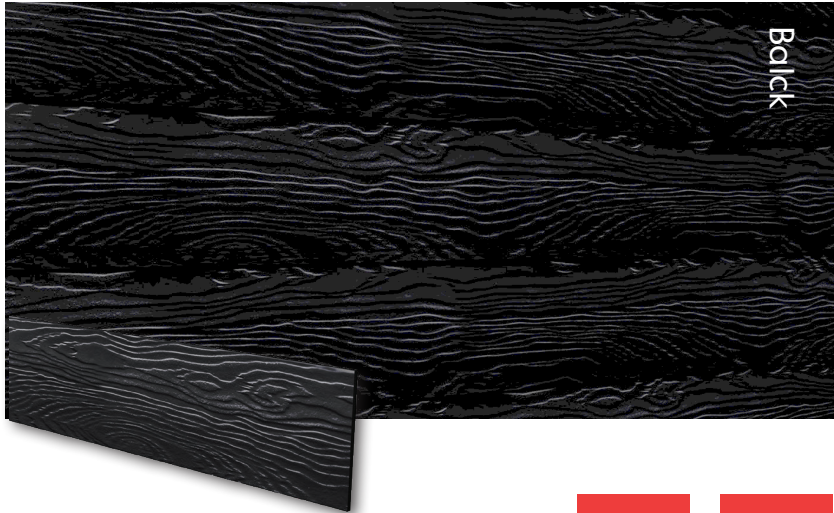
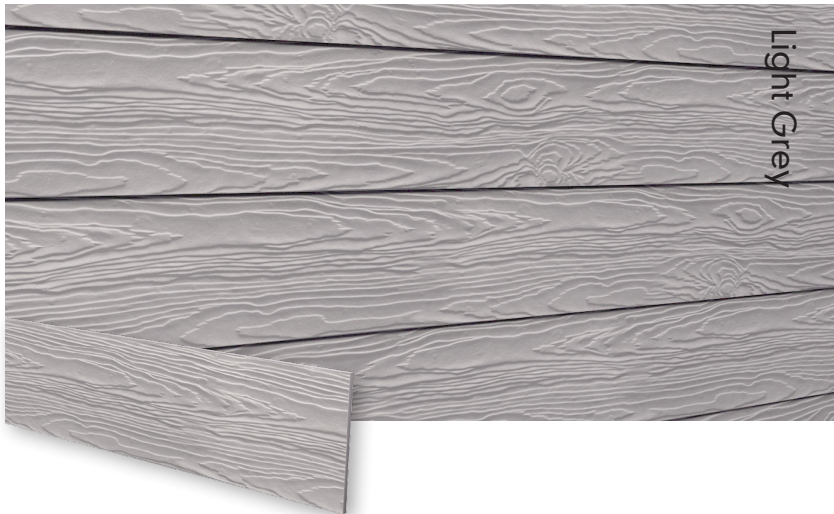


- ▲ Beautiful, durable cladding
- ▲ 4 colours available
- ▲ 10% more coverage than similar alternatives
- ▲ Simple and economical to install using traditional tools
- ▲ Excellent weather resistance
- ▲ BRE fire safety classification A2-s1, d0
- ▲ High levels of thermal insulation possible
- ▲ Suitable for all residential and commercial applications



Marley Weatherboard colours

Available now in four popular colours nationwide, Marley Weatherboard has all the benefits of natural timber with none of the worries of rot, maintenance and repainting.



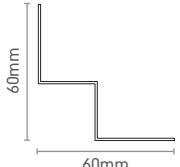
Please note: The on-screen rendering restricts the exact representation of colours. For true colour reference, please request product samples.



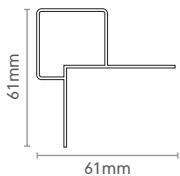
Marley Weatherboard trims and accessories

Marley Weatherboard trims and profiles are 3m in length. They are manufactured from aluminium and give a seamless and weathertight finish. They are available colour matched to Marley Weatherboard planks.

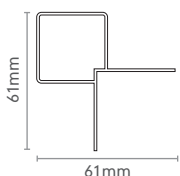
Vertical trims




INTERNAL CORNER
To give neat finish where Weatherboard meets an internal corner forming a seal between the trim and the corner.



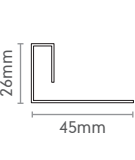
EXTERNAL CORNER ASYMMETRIC
To give neat finish where Weatherboard meets an external corner forming a seal between the trim and the corner.



EXTERNAL CORNERS SYMMETRIC
To give neat finish where Weatherboard meets an external corner forming a seal between the trim and the corner.

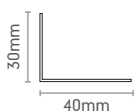


CONNECTION PROFILE
Used to finish Weatherboard at a window reveal or soffit.

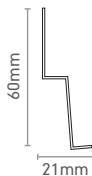


END PROFILE
Used to finish Weatherboard at the end of a run when abutting other materials.

Horizontal trims



PERFORATED CLOSURE
Designed to protect against vermin and some insects while still allowing air to flow through the system.




STARTER PROFILE
Used to start the initial Weatherboard cladding run at the base of the wall. Available in all colours.


Underlay and timber



MARLEY UNIVERSAL VAPOUR PERMEABLE MEMBRANE
High performance vapour permeable wall membrane.



MARLEY JB RED BATTENS
Fully machine graded red batten, treated with a MicroPro preservative to protect against wood rotting fungi and insects.



MARLEY JB GREEN BATTENS
Premium green treated timber to Usage Class 2 for use as structural timber.

Fixings and ancillaries



WEATHERBOARD LAP SCREWS
Recommended for all Weatherboard Lapped applications. Size 4 x 38mm.



MARLEY WEATHERBOARD COLOUR MATCHED SCREWS
Should be used for all visible fixings to provided seamless colour finish. Size 9 x 45mm.



WEATHERBOARD EPDM SELF-ADHESIVE TAPE (20M ROLLS)
3 widths available, 50mm, 75mm and 100mm.



MARLEY WEATHERBOARD TOUCH UP PAINT
Weatherboard touch up paint is available in 1 litre quantities for all colours. Apply sparingly with a small brush, only where there is damage to paint or on cut edges. Remove overspill immediately.



THE WEATHERBOARD
SOLUTION

COLOURS

TRIMS & ACCESSORIES

TECHNICAL

STORAGE & HANDLING

CUTTING

FIXING

LAYING OPTIONS

STARTING OUT

FIXING AT BASE

INSTALLATION

VERTICAL PROFILES

TOP OF WALL,
ABUTMENTS & GABLES

CORNERS

CORNER TRIMS

WINDOWS

Marley Weatherboard product data

Length	3600mm
Width	200mm
Thickness	8mm
Fire rating	A2-s1, d0
Headlap	30-50mm
Coverage	1.63 boards/m ²
Finish	Woodgrain
Colours	4
Weight per board	8.6kg
Boards per pallet	250
Pallet weight	2.15 tonnes



Need more information?

You can access the Marley Weatherboard safety data sheet and DOP on our website: marley.co.uk/safety



Storage & handling



Off-loading and handling

- It is recommended that pallets are offloaded using forks (not grabs or slings)
- Pallet load should be stored on a level surface
- No more than 4 pallets high
- It is recommended that, to maintain the appearance and quality of the product, the boards are stored indoors in dry conditions
- For outside storage, outermost packaging should be removed to prevent condensation and boards should be raised above the surface of the ground and covered with a weatherproof tarpaulin.

Single boards

- Full length Weatherboard planks should be handled with care
- Carry planks edge downwards
- Keep hands as far apart as possible to provide maximum support for the plank.
- Do NOT carry planks with edges horizontal to avoid bowing and breaking
- While stored on the flat, they must be fully supported along their full length on pallets.
- To avoid scratching the face of boards, lift directly off the pallet



Cutting



- ▲ Cutting should take place outside in a well-ventilated, dry environment.
- ▲ Adequate PPE, including the appropriate respirator should be worn to reduce dust exposure.
- ▲ After cutting, wipe away excess dust with a clean, dry cloth
- ▲ Water must not be used when cutting boards.
- ▲ All on-site cuts must be resealed with Marley Weatherboard touch up paint.
- ▲ Ensure excess paint on the face of the board is wiped off immediately.

Circular saw

- ▲ A circular saw with fibre cement blades (diamond dusted preferred) is ideal for cutting large quantities.
- ▲ Continuous rimmed blades are not recommended for cutting Weatherboard boards
- ▲ Also with this method, cutting from the back of the board is advisable as the saw guide leaves marks across the board surface
- ▲ Test cutting is recommended
- ▲ When cleaning cutting dust, dampen with a fine mist to limit silica dust
- ▲ When sweeping, use an appropriate vacuum

Guillotine

- ▲ Weatherboard can be cut with a specially manufactured guillotine.

Electric jigsaw

- ▲ Jigsaws should be fitted with a carbide blade for fibre cement

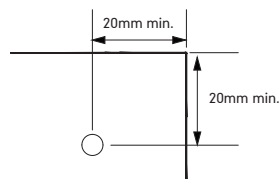
Need more information?

You can access the Marley Weatherboard safety data sheet and DOP on our website: marley.co.uk/safety

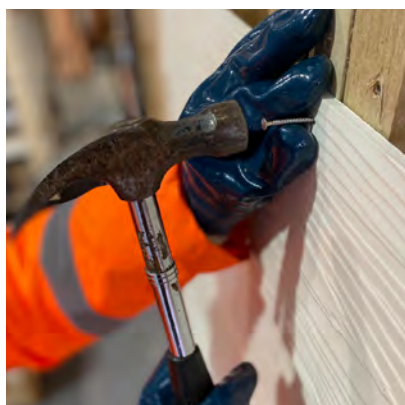


- THE WEATHERBOARD SOLUTION
- COLOURS
- TRIMS & ACCESSORIES
- TECHNICAL
- STORAGE & HANDLING
- CUTTING
- FIXING**
- LAYING OPTIONS
- STARTING OUT
- FIXING AT BASE
- INSTALLATION
- VERTICAL PROFILES
- TOP OF WALL, ABUTMENTS & GABLES
- CORNERS
- CORNER TRIMS
- WINDOWS

Fixing



Minimum edge distance for drilled holes



Screwing

- ▲ Screw fixing to the support structure is recommended and can be achieved without pre-drilling where fixings are at least 50mm from the end of the board.
- ▲ Where screws are to be within 50mm of the end of the board then a pre-drilled hole and countersink is required to suit the screw size.
- ▲ For visible fixings, it is recommended that Marley colour matched screws are used (9 x 45mm)
- ▲ For hidden fixings, Weatherboard lap screws are recommended (stainless steel min. 4 x 38mm)
- ▲ The following minimum distances from the edge to the screw and nail must be respected.

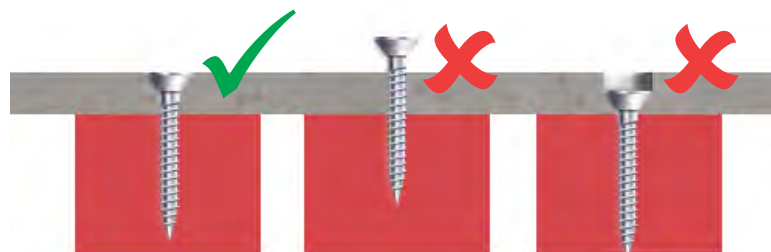
Nailing by hand

- ▲ The board can be hand nailed without pre-drilling when the nails are at least 50mm from the end of the board.
- ▲ For nails closer than 50mm to the end, nail positions need pre-drilling with a drill bit.
- ▲ Nails should be stainless steel.
- ▲ Nail head should lie flat on the plank surface and should not be driven or sunken into the plank.



Pneumatic gun

- ▲ When fixing boards with a pneumatic gun, stainless steel fixings must be used.
- ▲ Trial nailing should be conducted to determine pressure settings of gun to ensure the fixings will finish flush with the face of the board.



Screw/nail depth

- ▲ It is essential to ensure that the head of the fixing – whether screw or nail – is flush with the surface of the Weatherboard plank.
- ▲ It must NOT sit proud nor be sunk below the depth of the surface

Health & safety

Dust can be generated while Weatherboard is being cut and installed. Dust and small particles can irritate airways and/or eyes and long-term exposure to dust can be harmful to health. For more information, please contact the Marley Technical Department.

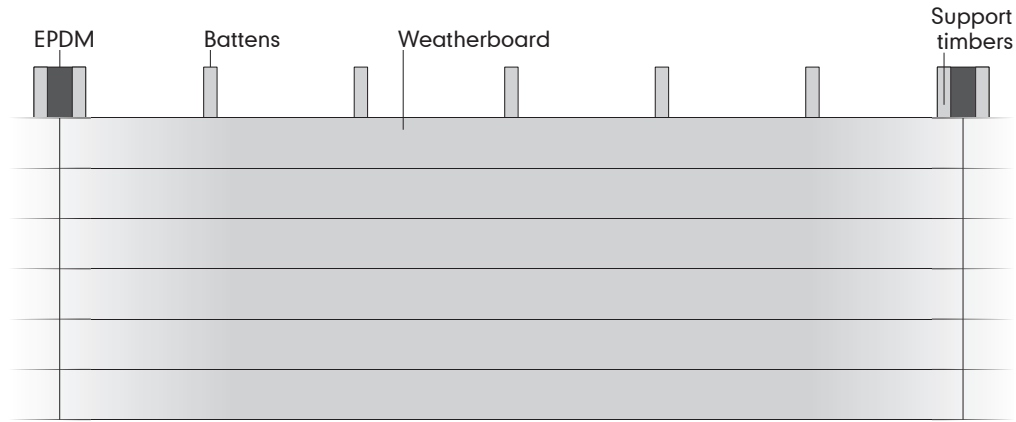
All fixing methods

- ▲ Which ever fixing method is used, boards must be fixed at least once to every batten

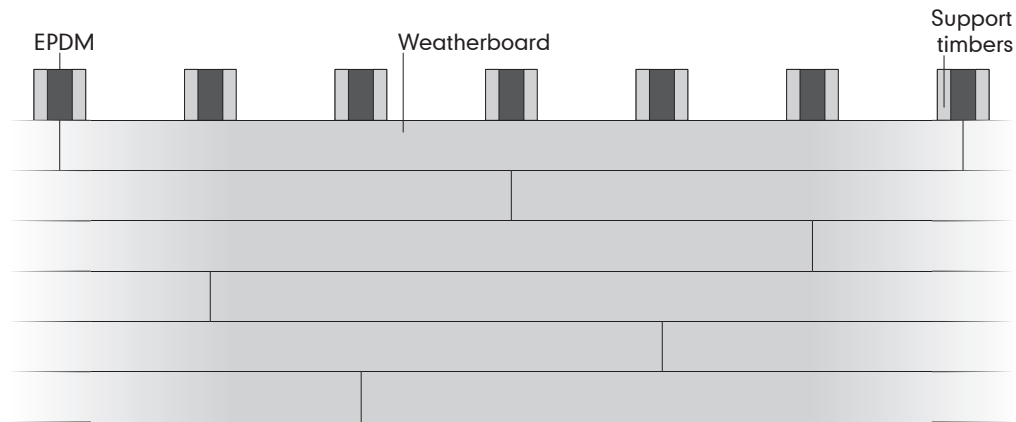


- THE WEATHERBOARD SOLUTION
- COLOURS
- TRIMS & ACCESSORIES
- TECHNICAL
- STORAGE & HANDLING
- CUTTING
- FIXING
- LAYING OPTIONS
- STARTING OUT
- FIXING AT BASE
- INSTALLATION
- VERTICAL PROFILES
- TOP OF WALL, ABUTMENTS & GABLES
- CORNERS
- CORNER TRIMS
- WINDOWS

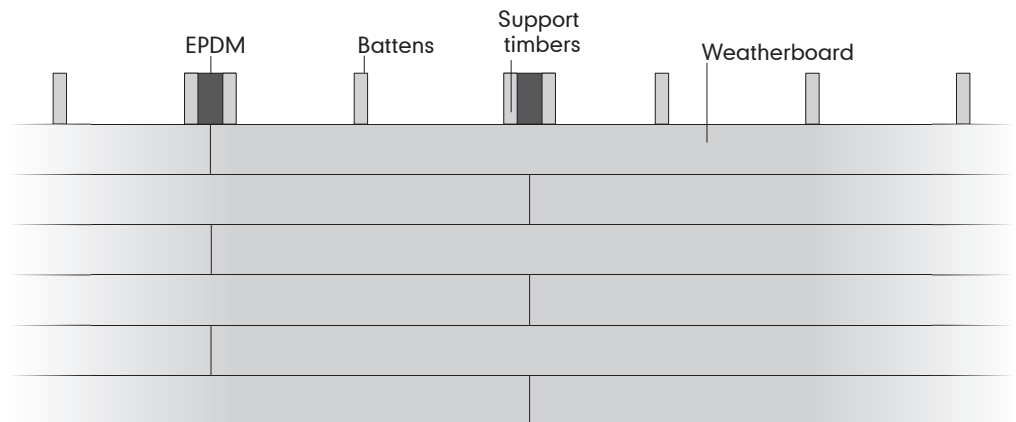
Choose your horizontal laying pattern



Straight or butt jointed



Random pattern



Broken bond



Position and fix the vertical battens



Use Marley Universal Vapour Permeable underlay as a waterproof base covering. Battens to be spaced a maximum of 600mm apart (reduce this in high windload areas).

Batten sizes

- ▲ Standard fixing – 50mm x 38mm
- ▲ Joints/corners – 75mm x 38mm

Design considerations

HIGH WIND LOADING, VERY SEVERE/SEVERE EXPOSURE OR EXCEPTIONAL IMPACT LOADING REQUIREMENTS

- ▲ Where the exposure is classed as 'severe' or 'very severe', please consult the Technical Department.

FIXING BATTENS TO THE BACKING WALL

- ▲ Often, more attention is given to how the cladding is attached to the battens when in fact attaching the battens to the wall is more critical.
- ▲ The battens are exposed to the full wind load whilst wind loads on the cladding layer are generally far lower.
- ▲ There are several aspects to consider – the backing wall type; any additional insulation included as part of the batten assembly; if counter battens are being used and the windloads to be placed on the building.
- ▲ If the backing wall is masonry, connections between the cladding support battens and backing wall need to be designed by a structural engineer.

SURFACE MOUNTED FEATURES

- ▲ Additional batten work will be required when installing other building features – gutters, porches, signage etc.).
- ▲ The required clearance holes should be made through the appropriate Weatherboard planks to accommodate these features. No additional structural loads should be applied to Weatherboard.

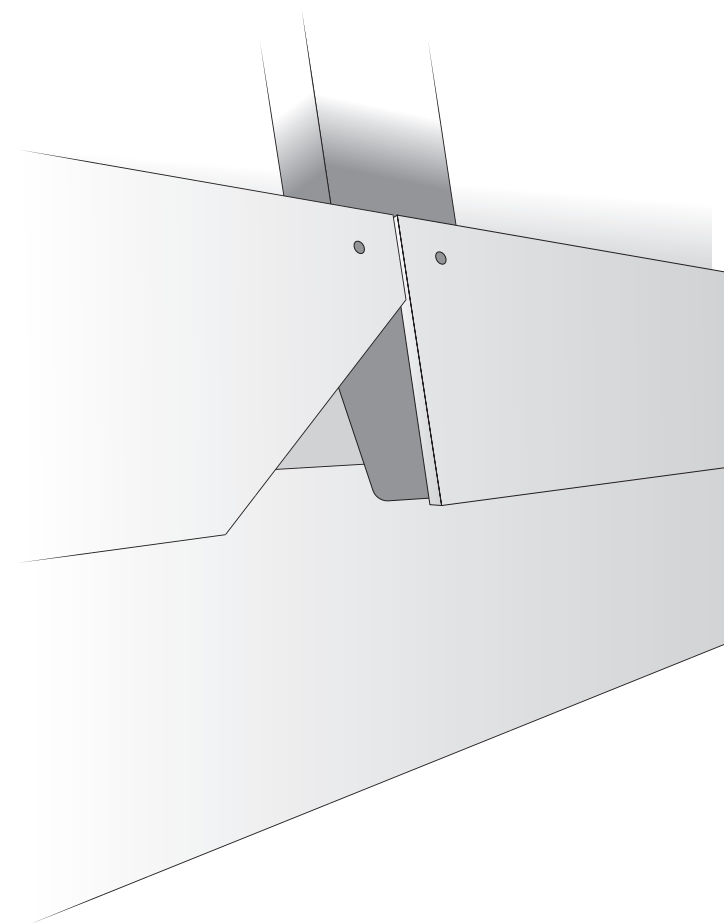
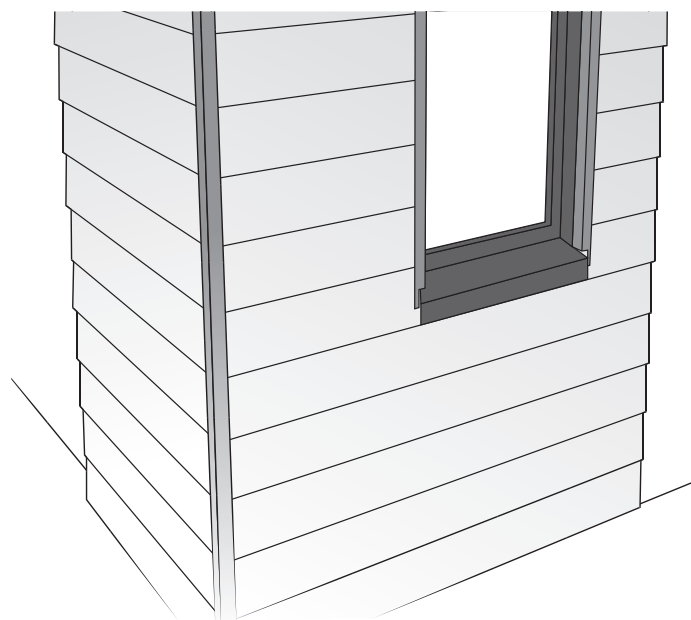
VENTILATION

- ▲ The use of 38mm deep battens provides sufficient strength and resistance to resist the pull-out loads generated by the weatherboard planks and ensures adequate ventilation cavity to minimise interstitial condensation.
- ▲ A minimum 10,000mm²/m run of ventilation at the top and bottom of the installation must be maintained, including around windows, doors and other features.



Continued installation

- ▲ Overlap the next plank by 30-50mm
- ▲ Fix into place then continue fixing subsequent planks up the wall in the same way
- ▲ Each plank must be fixed at least once to every batten
- ▲ Every plank end must also coincide with a support.
- ▲ Where required, install Marley Universal vapour barrier or breather membrane over the wall or framework behind the timber studs.
- ▲ There should be 150mm minimum between bottom edge of Weatherboard and ground level.
- ▲ Fixing takes place through the upper edge of each plank.
- ▲ Planks are butt jointed with no horizontal overlap, and the joints must coincide with a timber support, allowing a nominal 3mm gap for expansion
- ▲ EPDM should be applied along the full batten length, behind all vertical profiles and behind every joint (see opposite).



Jointing of Weatherboard

- ▲ When two Weatherboard plank ends meet, they are fixed to one batten.
- ▲ A protective EPDM strip should be adhered to the batten to protect the timber from moisture ingress.
- ▲ Planks should be cut square at their ends and loose butt jointed together, do not use force.



- THE WEATHERBOARD SOLUTION
- COLOURS
- TRIMS & ACCESSORIES
- TECHNICAL
- STORAGE & HANDLING
- CUTTING
- FIXING
- LAYING OPTIONS
- STARTING OUT
- FIXING AT BASE
- INSTALLATION
- VERTICAL PROFILES
- TOP OF WALL, ABUTMENTS & GABLES
- CORNERS
- CORNER TRIMS
- WINDOWS

Fixing vertical profiles

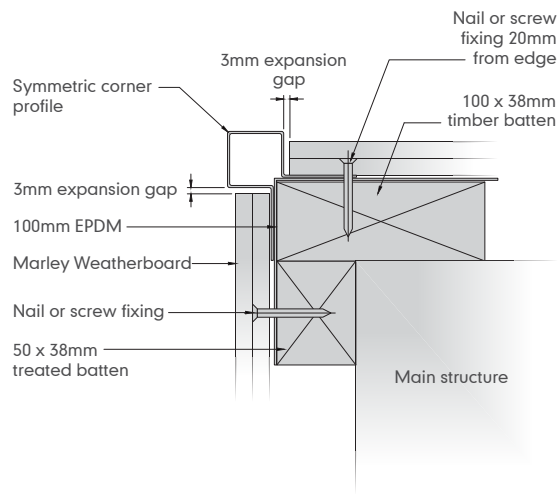
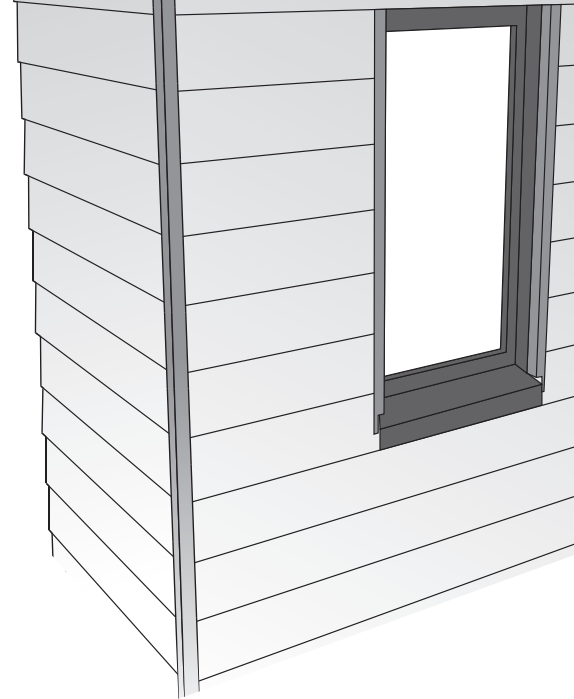
Position, level then screw or nail end profiles, corner profiles and window profiles into place.



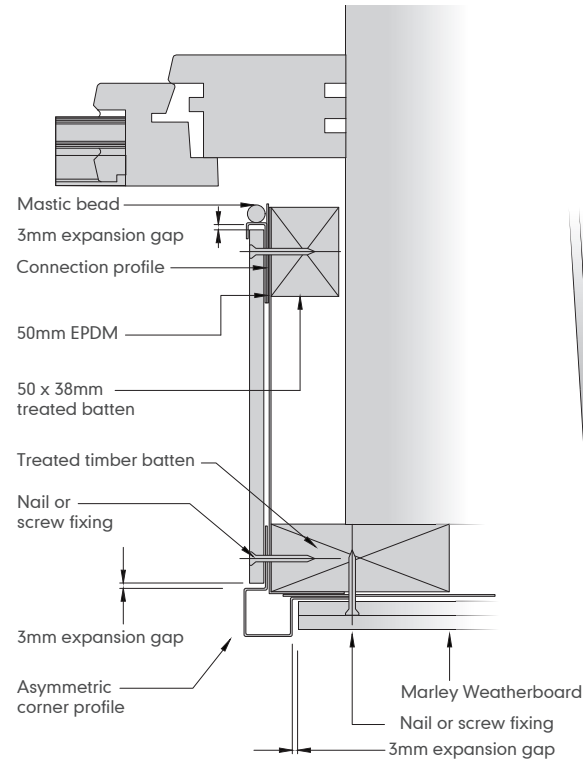
EXTERNAL CORNERS SYMMETRIC
To give neat finish where Weatherboard meets an external corner forming a seal between the trim and the corner. Available in all colours. 3m in length.



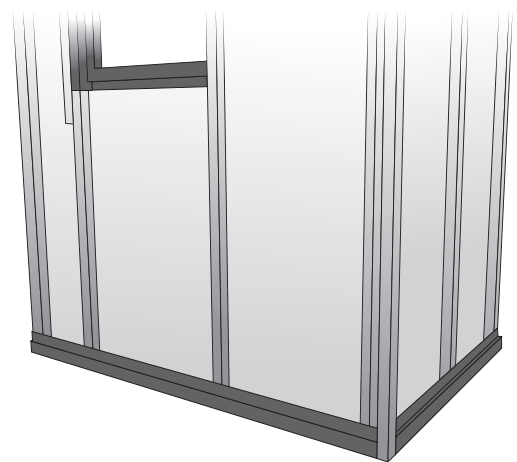
EXTERNAL CORNER ASYMMETRIC
To give neat finish where Weatherboard meets an external corner forming a seal between the trim and the corner. Available in all colours. 3m in length.



Detailing with symmetric external corner trims at external corner



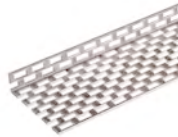
Detailing with asymmetric external corner trims at window jamb



- THE WEATHERBOARD SOLUTION
- COLOURS
- TRIMS & ACCESSORIES
- TECHNICAL
- STORAGE & HANDLING
- CUTTING
- FIXING
- LAYING OPTIONS
- STARTING OUT
- FIXING AT BASE
- INSTALLATION
- VERTICAL PROFILES
- TOP OF WALL, ABUTMENTS & GABLES
- CORNERS
- CORNER TRIMS
- WINDOWS

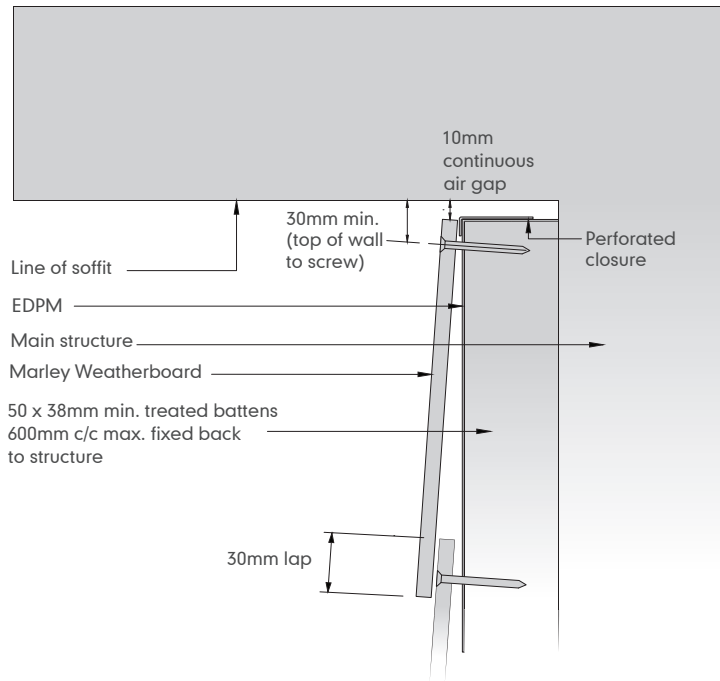
Top of wall installation

- ▲ When finishing the top plank of any elevation, the fixings will remain visible.
- ▲ For best results use colour matched Weatherboard screws.



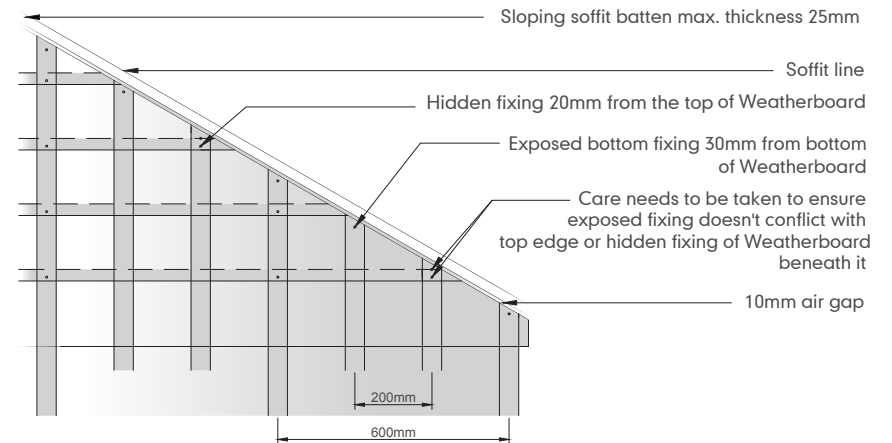
PERFORATED CLOSURE

Designed to protect against vermin and some insects while still allowing air to flow through the system, The perforated closure can be used to terminated Weatherboard cladding beneath a soffit. 3m in length.



Abutments and gables

- ▲ Where Weatherboard planks abut another material – for instance a brick work return – and when no end trims are being used, the abutting end of the Weatherboard plank must not extend more than 100mm beyond the last fixing point.
- ▲ On gable ends with raking abutments, Weatherboard should be fixed top and bottom to an additional batten fixed parallel to the roof slope using colour matched screws
- ▲ It is essential to secure the bottom edge to avoid curling in certain conditions.



- THE WEATHERBOARD SOLUTION
- COLOURS
- TRIMS & ACCESSORIES
- TECHNICAL
- STORAGE & HANDLING
- CUTTING
- FIXING
- LAYING OPTIONS
- STARTING OUT
- FIXING AT BASE
- INSTALLATION
- VERTICAL PROFILES
- TOP OF WALL, ABUTMENTS & GABLES

- CORNERS
- CORNER TRIMS
- WINDOWS

Corners

There are a number of ways of finishing both external and internal corners using Weatherboard.

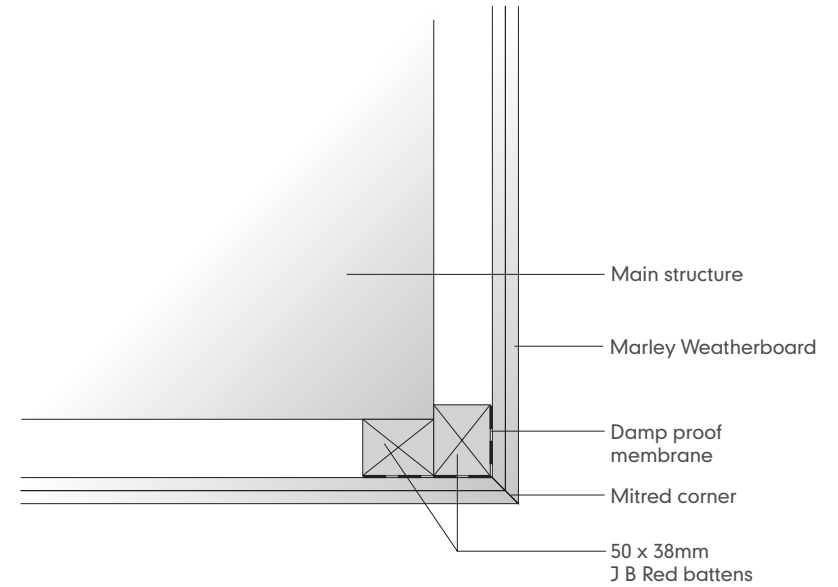
Overlapping corner

This is when the board from one side overlaps the end of the plank on the other side. There will always be one end of plank showing with this method. These ends need to be decorated to match the finish on Weatherboard. The transverse cuts of the plank at the corner positions will not be perpendicular with the sides of the boards.

Mitred corners

Mitred corners can be formed using a compound mitre cut, taking into consideration the width, thickness and headlap of the boards

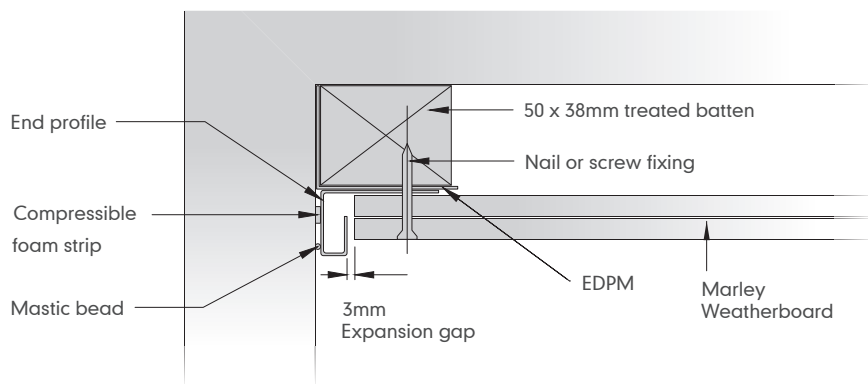
It is vital that the angle of the corner is measured accurately on site and boards are precisely cut to achieve a neat finish.



- THE WEATHERBOARD SOLUTION
- COLOURS
- TRIMS & ACCESSORIES
- TECHNICAL
- STORAGE & HANDLING
- CUTTING
- FIXING
- LAYING OPTIONS
- STARTING OUT
- FIXING AT BASE
- INSTALLATION
- VERTICAL PROFILES
- TOP OF WALL, ABUTMENTS & GABLES
- CORNERS
- CORNER TRIMS
- WINDOWS

Corner trims

Corner abutment with end profile



INTERNAL CORNER
To give neat finish where Weatherboard meets an internal corner forming a seal between the trim and the corner. Available in all colours. 3m in length.



EXTERNAL CORNER ASYMMETRIC
To give neat finish where Weatherboard meets an external corner forming a seal between the trim and the corner. Available in all colours. 3m in length.



EXTERNAL CORNERS SYMMETRIC
To give neat finish where Weatherboard meets an external corner forming a seal between the trim and the corner. Available in all colours. 3m in length.

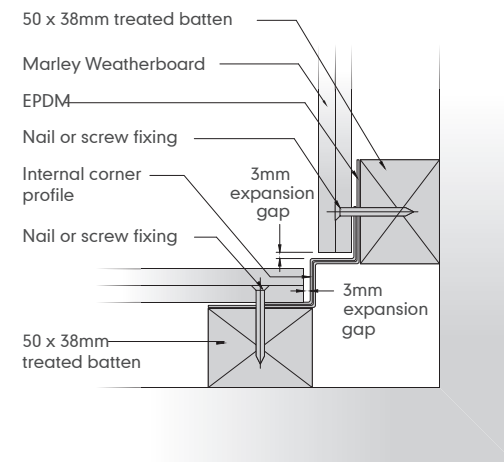


CONNECTION PROFILE
Used to finish Weatherboard at a window reveal or soffit. Available in all colours. 3m in length.

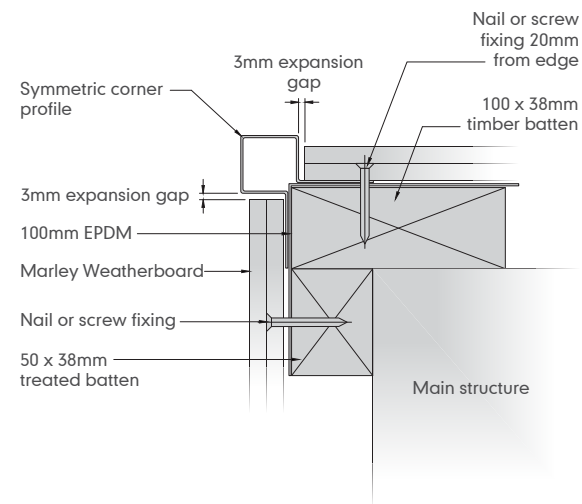


END PROFILE
Used to finish Weatherboard at the end of a run when abutting other materials. Available in all colours. 3m in length.

Internal corner detail



External corner detail

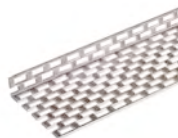


Window jamb corner with external corner profile

See Vertical profiles



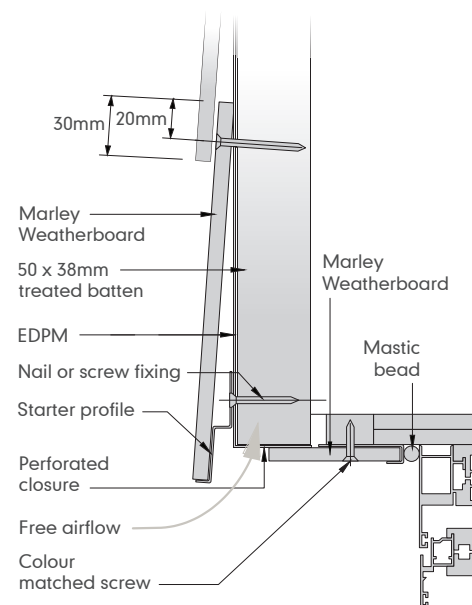
Windows



PERFORATED CLOSURE AT WINDOW HEAD
Designed to protect against vermin and some insects while still allowing air to flow through the system, The perforated closure can be used to terminate Weatherboard cladding beneath a soffit. 3m in length.



STARTER PROFILE
The starter profile is used to support the bottom Weatherboard plank and to 'kick' it out to ensure the look is uniform with the rest of the installation.



This publication is based on the latest data available at the time of printing. Due to product changes, improvements and other factors, the Company reserves the right to change or withdraw information contained herein without prior notice. For specific applications users should refer to the Technical Advisory Service and relevant Standards and Codes of Practice for guidance. The photography shown in the document should not necessarily be taken as recommendations of good practice. Marley cannot be held responsible for any damage occurring during the handling, storage or installation of Marley Weatherboard. Fix in accordance with the guidelines stated in this document.



THE WEATHERBOARD
SOLUTION

COLOURS

TRIMS & ACCESSORIES

TECHNICAL

STORAGE & HANDLING

CUTTING

FIXING

LAYING OPTIONS

STARTING OUT

FIXING AT BASE

INSTALLATION

VERTICAL PROFILES

TOP OF WALL,
ABUTMENTS & GABLES

CORNERS

CORNER TRIMS

WINDOWS




Tell me more

Call 01283 722588
Email info@marley.co.uk
Or visit marley.co.uk

Marley, Lichfield Road, Branston, Burton upon Trent, DE14 3HD