

Fig. 4

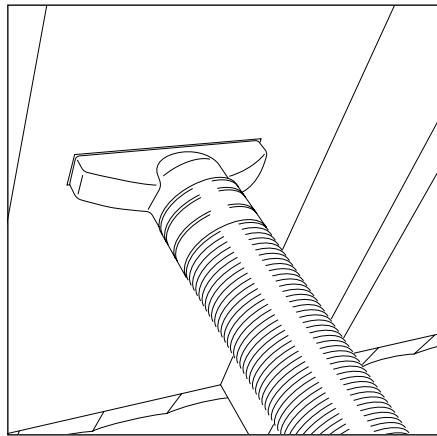


Fig. 7

- 3 Position the ventilator with the spigot through the underlay cut and nail the ventilator to the batten through the hole in the top flange (Fig. 4).
- 4 With the ventilator in position, tiling can be completed, leaving a discreet flush fitting installation (Fig. 5).

Soil Pipe and Extractor Connection

- 5 The ventilator must be accessed from the underside. Fit the Pipe Adaptor over the spigot on the underside of the ventilator ensuring the adaptor clips onto the spigot securely (Fig. 6).
- 6 The adaptor can be supplied alone or with the Flexi Pipe connector attached as a kit (Fig. 7).

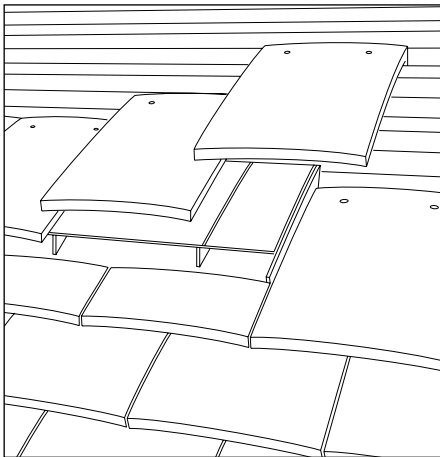


Fig. 5

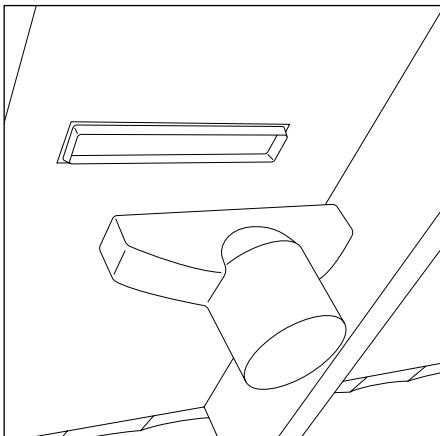
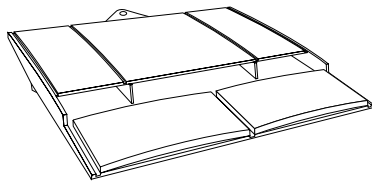


Fig. 6

FIXING INSTRUCTIONS

Clay inline tile vent

Component



Clay inline vent terminal

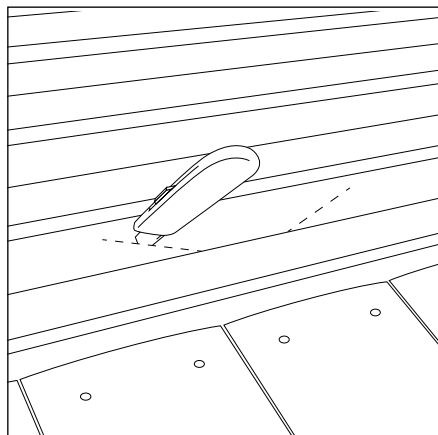


Fig. 1

Installation

- 1 Once the position of the vent has been determined, mark and cut the underlay in a V-shape to the size shown (Fig. 1).

For a fully boarded roof, a corresponding hole should also be cut in the sarking board.

It is important that the cut forms a snug fit to the ventilator to deflect and prevent water and debris penetration through the underlay (Fig. 2).

- 2 The top and side underlay triangular shapes should be folded outward and underneath the ventilator. The top triangle should be tacked to the batten above (Fig. 3).

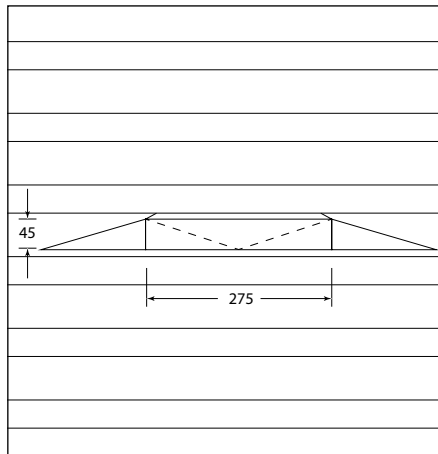


Fig. 2

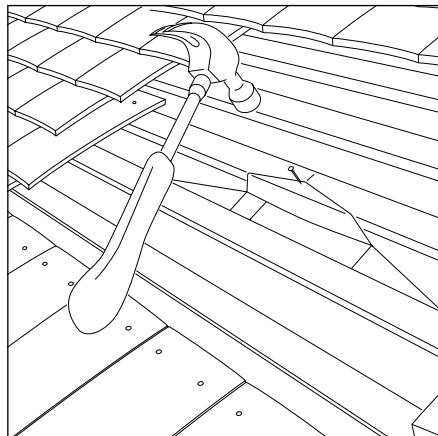


Fig. 3


Here
to help


Tell me more

Call 08705 626400

Email info@marley.co.uk

Or visit marley.co.uk

Marley, Lichfield Road, Branston,
Burton upon Trent, DE14 3HD

November 2020