

19 Fit ridge union by clipping each end over circular beads (Fig. 11).

Fix any cut ridge tiles adjacent to full end ridge tiles.

### Mono-ridge installation

1 Nail front edge of batten section to each rafter 150mm from vertical face of timber fascia for a roof at 35° (this will vary slightly, dependent upon roof pitch).

2 Continue to install dry ridge system.

3 Complete all verges, where necessary (see Marley Universal dry verge fixing instructions) and fit segmental mono-dry ridge end cap, if required.

4 Lay mono-ridge tiles with front leg sitting on top of circular bead with a gap of approximately 3mm between each tile to allow clearance for locating tongues of mono-ridge union.

5 Fit ridge unions by clipping front end over circular bead of batten section, followed by back end over bottom edge of mono-ridge tile (Fig. 12).

6 Secure any cut tiles adjacent to end ridge tiles, which should be full tiles.

7 Mechanically fix each mono-ridge union by using a 25mm x 10 gauge stainless steel screw (supplied with ridge tile) fixed to a timber fascia behind vertical leg (Fig. 13).

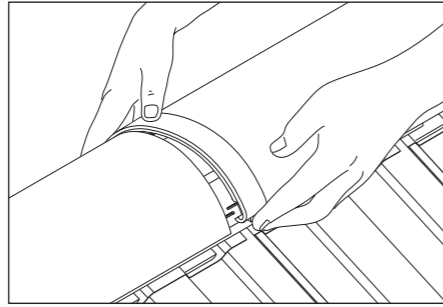


Fig. 11 – Fit ridge union

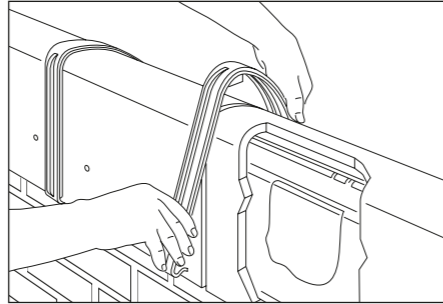


Fig. 12 – Locate mono-ridge union

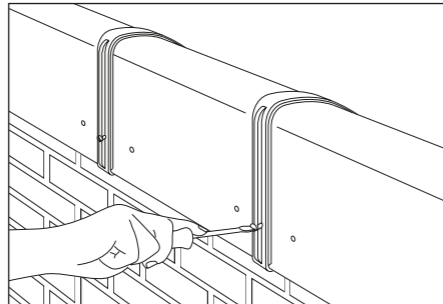


Fig. 13 – Mechanically fix mono-ridge union

### Components



Modern ridge union (code 414\*)



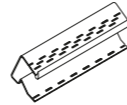
Segmental ridge union (code 413\*)



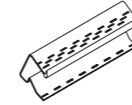
Segmental mono-ridge union (code 423\*)



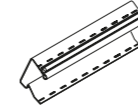
Modern/Segmental ridge adaptor union (code 420\*)



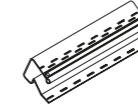
High profile batten section (3m long)† (code 41201)



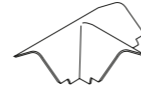
Low profile batten section (3m long)‡ (code 41101)



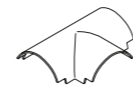
Steep pitch high profile batten section 45-55° (3m long)† (code 41202)



Steep pitch low profile batten section 45-55° (3m long)‡ (code 41102)



Modern ridge junction apex cap (code 440\*)



Segmental ridge junction apex cap (code 439\*)

Dry ridge fixing kit\*\* (code 41000)

Also available: Filler units, Dry Ridge top course clip and nail pack.

\* Use colour code suffix: 01 - Grey, 03 - Brown, 04 - Terracotta.

\*\* Kit contains: 16 No. nails, 2 No. H sections, 2 No. screws

† For Double Roman, Mendip, Wessex and Anglia

‡ For Ashmore, Edgemere range, Modern, Duo Modern, Ludlow Plus, Ludlow Major

FIXING INSTRUCTIONS

# Ventilated Dry Ridge System



## Installation

- 1 Cut batten section with a fine-toothed saw with ends of sections at joints meeting halfway over a rafter, so each end can be nailed (Fig. 1).
- 2 Provide overhang of 45mm at verges to allow fitting of top course Marley interlocking dry verge unit and end cap.
- 3 Use a ridge tile for setting out the batten sections to ensure they are the required distance to suit ridge tile and positioned equidistantly apart.

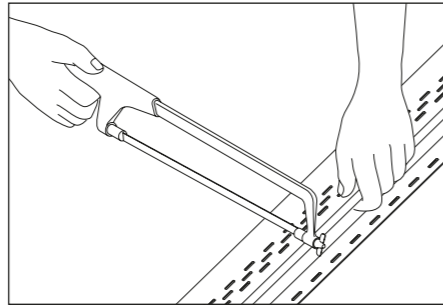
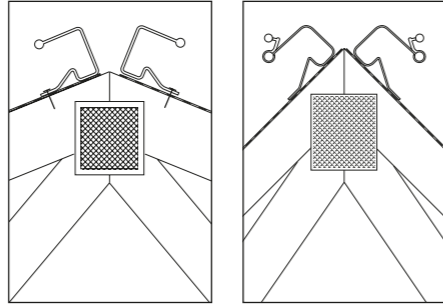


Fig. 1 – Cut batten section

- 4 Free ends of batten section can be restrained by either fitting a ridge union or second gauge (Figs. 2 and 3).
- 5 Nail batten sections to each rafter, taking care gauge position is constantly checked.
- 6 Join batten section over a rafter and clip an 'H' section piece, provided in the fixing kit, over top flanges before nailing.



Figs. 2 and 3 – Secure ends of batten section (standard and steep pitch ridges shown)

Wherever possible, stagger joints on opposite sides of roof. Underlay must be slit to provide 5mm gap between batten sections along roof apex to allow free passage of air to and from roof space below (Fig. 4).

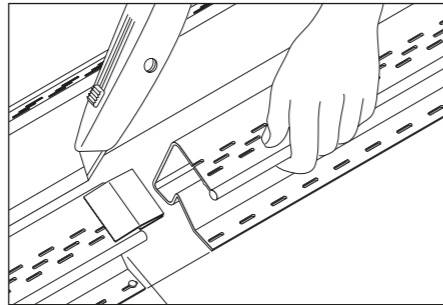


Fig. 4 – Slit underlay between batten sections and clip using 'H' section piece

- Note: Allow a 12.5mm gap between each 3m length of batten section. Form fire breaks where necessary and fill the space beneath the ridge tile spanning the party wall with suitable non-combustible material.
- 7 Place appropriate ridge filler unit onto head of tile.
  - 8 Insert tile with filler unit into batten section by lifting top flange slightly until nibs engage over upstand and tile is held securely. (The ridge filler unit for Plain/Modern has raised lugs which fit beneath circular beads on batten sections) (Fig. 5).
  - 9 Ensure each tile is mechanically fixed by using a standard tile clip located over side lock and nailed to top edge of second course tiling batten (Fig. 5).

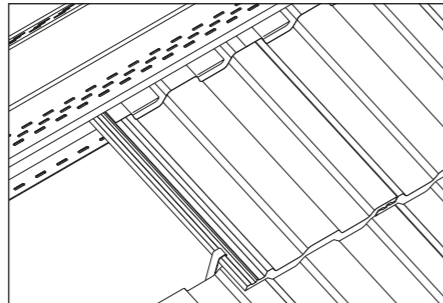


Fig. 5 – Clip top course interlocking tiles

- 10 When using Modern/Duo Modern/Edgemere range interlocking slates, fit a standard eaves clip. Secure to top of interlock of all top course slates where they are located into dry ridge batten section. Nail eaves clip to a timber batten fixed directly below lower flange of batten section, ensuring clip locates over sidelock.

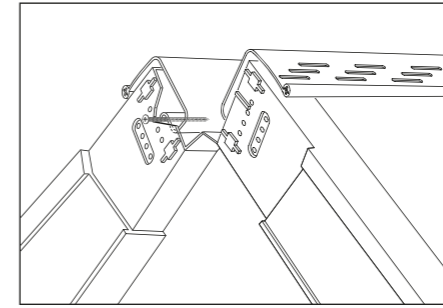


Fig. 6 – Insert verge unit with previous unit

- 11 Complete verges.
- 12 For the Marley Universal dry verge system, top course verge unit is retained by inserting a screw into second series of holes in verge unit and locating unit behind mid section of dry verge batten (Fig. 6)
- 14 For bedded verges, cut back lower flange of each dry ridge batten by approx. 50mm.

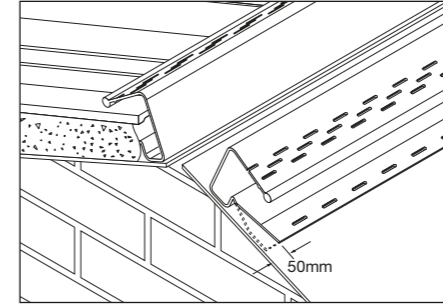


Fig. 7 – Bedded verges

- Lay undercloak under flange and bed tiles in normal manner (Fig. 7). Where a PVC end cap is used (see Fig. 8).
- 15 Screw Ridge end cap to end of Marley dry ridge batten, locating stainless steel screws (supplied in fixing kit) in end of circular beads on upper flange (Fig. 8).
  - 16 When fixing with slates, use a standard dry verge end cap to suit ridge profile, but cut lower flange along visible guide line on inside to reduce effective overhang (Fig. 9).

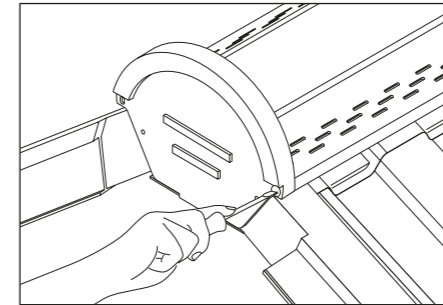
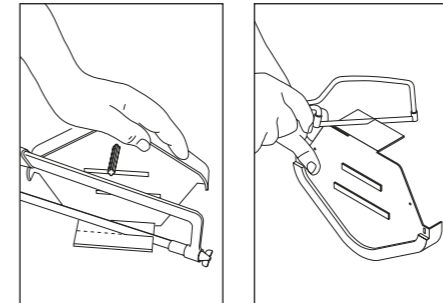


Fig. 8 – Fixing ridge end cap

- 17 Cut lower flange across width (Fig. 10) where necessary, to avoid interference with dry verge units. This will always be the case for use with steep pitch roof apexes.
- 18 Lay ridge tiles with each leg sitting on top of circular bead, with a gap of 3mm approx. between each ridge tile. This allows clearance for internal lugs of ridge union.



Figs. 9 and 10 – Cutting ridge end cap flange

 Here to help

## VENTILATED DRY RIDGE SYSTEM

The Marley ventilated dry ridge system remains one of the simplest, aesthetically pleasing and effective means of providing continuous ventilation along the length of the ridge for the removal of stagnant, moist air which would otherwise be trapped in the roof apex.

 Tell me more

Call 08705 626400  
Email [info@marley.co.uk](mailto:info@marley.co.uk)  
Or visit [marley.co.uk](http://marley.co.uk)

Marley, Lichfield Road, Branston,  
Burton upon Trent, DE14 3HD

December 2018